

HD

Self-centering adjustable hygienic feet

LAUMAS®



Up to 20000 kg application range



MAX STATIC LOAD	kg	THREAD	DIMENSIONS	MATERIAL	NET WEIGHT (kg)	CODE
2000		M12	Ø120 x H 101 mm	stainless steel	0.3	FLC273793A
5000		M16	Ø120 x H 101 mm		0.3	FLC273803A
5000		M20	Ø120 x H 101 mm		0.4	FLC273843A
10000		M24	Ø120 x H 97 mm		0.4	FLCD120M24503A
10000		M30	Ø120 x H 97 mm		0.9	FLCD120M30503A
20000		M36	Ø120 x H 97 mm		0.4	FLCD120M36503A

On request: pluggable hygienic foot, with holes for fixing to the floor.

For other types of hygienic or customized feet, please contact <https://martinlevelling.it>

CERTIFICATIONS



Equivalent of the CE marking for the United Kingdom

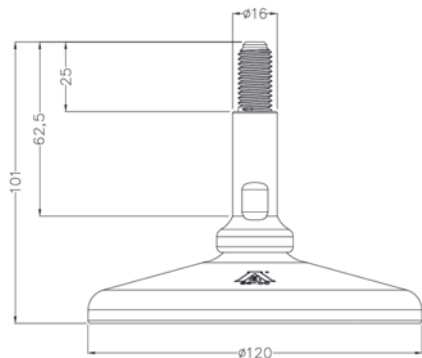


American standard that regulates the design, production and use of hygienic equipment

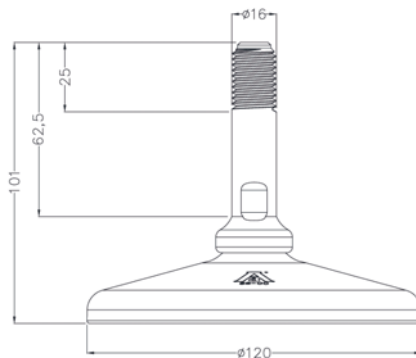
Rev. 0.0

DIMENSIONS AND APPLICATION

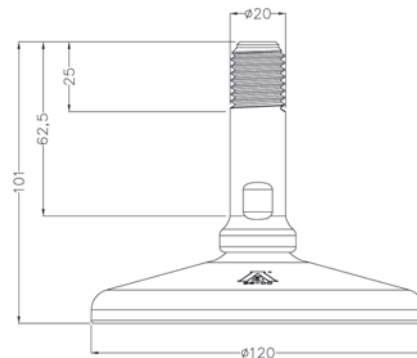
FLC273793A
M12 x 1.75



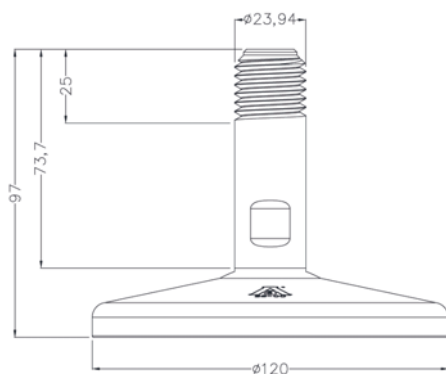
FLC273803A
M16 x 2



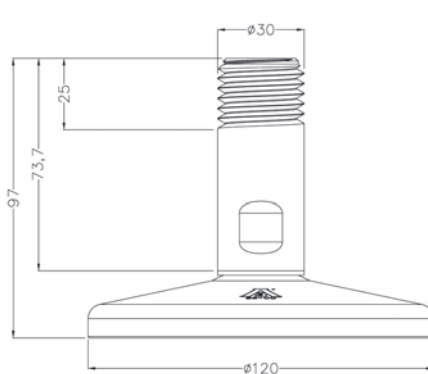
FLC273843A
M20 x 2.5



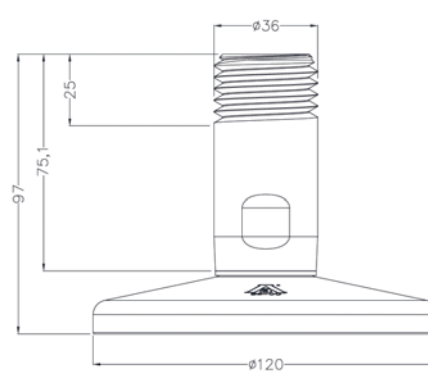
FLCD120M24503A
M24 x 3



FLCD120M30503A
M30 x 3.5



FLCD120M36503A
M36 x 4



EXAMPLE OF APPLICATION

