

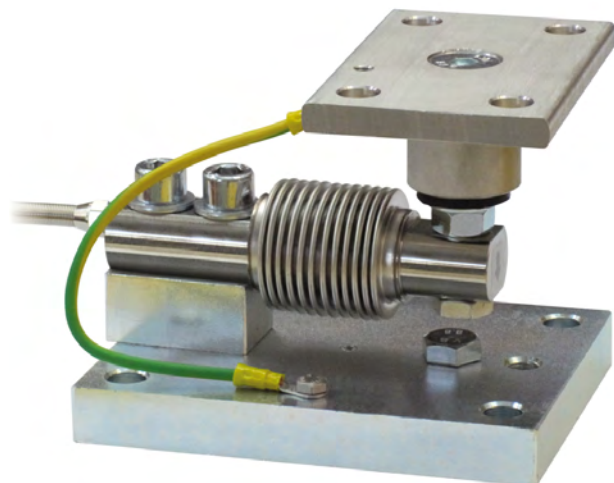
T12-GP

MOUNTING KIT for BENDING BEAM load cells

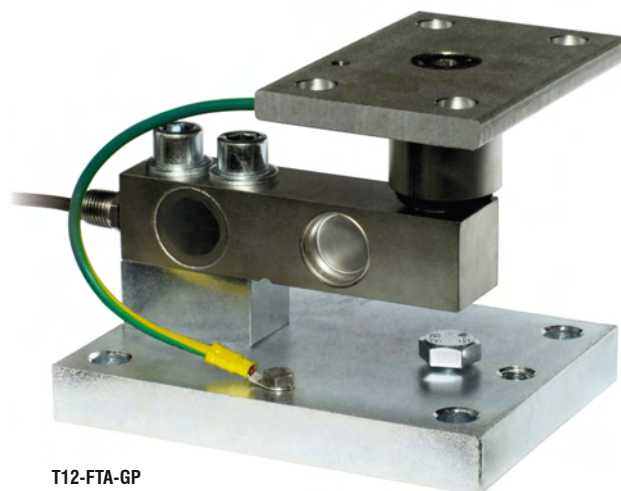
LAUMAS®
ELETTRONICA

Series load cells: FCAL - FCAX - FTL - FTK - FTKL - FTP - FT-P - FTZ

Application range from 30 to 2000 kg



T12-FCA-GP



T12-FTA-GP

MAX STATIC LOAD kg	FOR LOAD CELLS	NET WEIGHT OF MOUNTING KIT (kg)	CODE
1500	FCAL - FCAX	4	T12FCAGP
2000	FTL - FTK - FTKL - FTP - FT-P - FTZ	4	T12FTAGP

Load cell not included.

DESCRIPTION

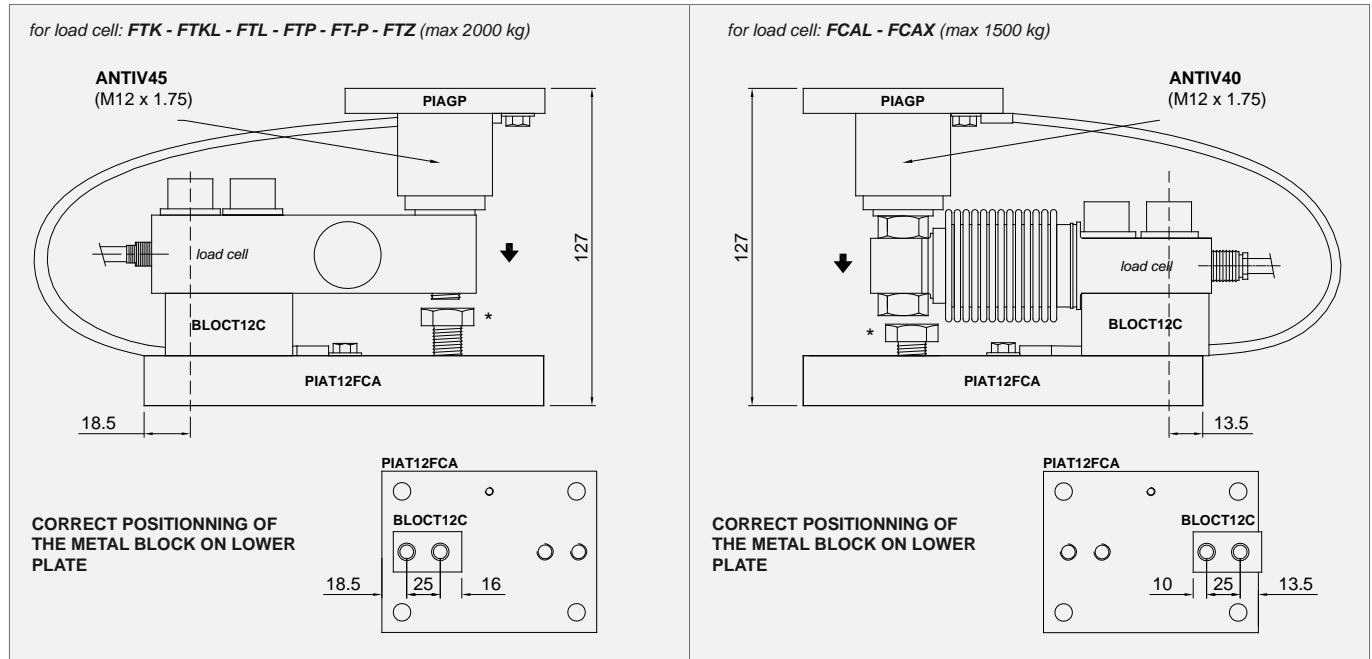
- Upper plate with a compression joint in AISI 304 stainless steel and rubber.
- Lower plate and block in galvanized steel.
- Misalignment compensation of the support plates structure.
- Adjustable height.
- Locking screw to avoid damage during transport and installation.

T12-GP

MOUNTING KIT for BENDING BEAM load cells

DIMENSIONS AND TECHNICAL SPECIFICATIONS

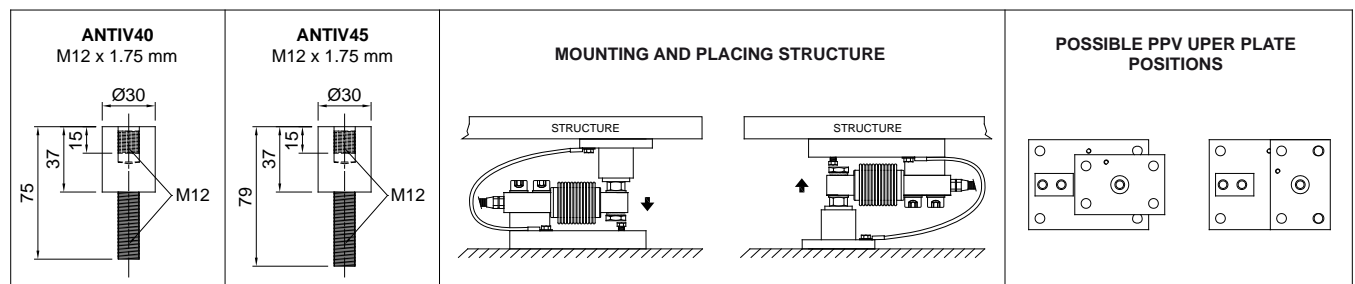
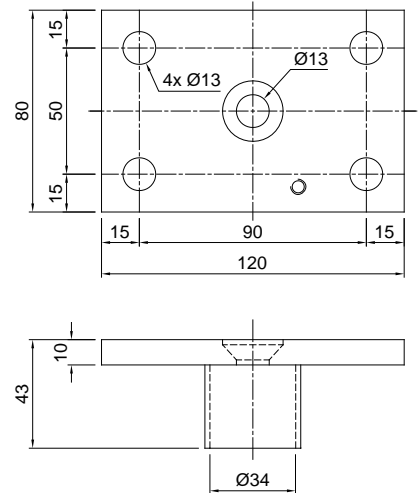
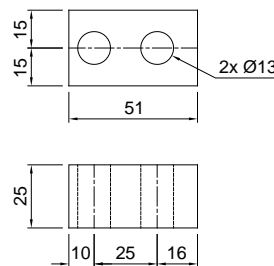
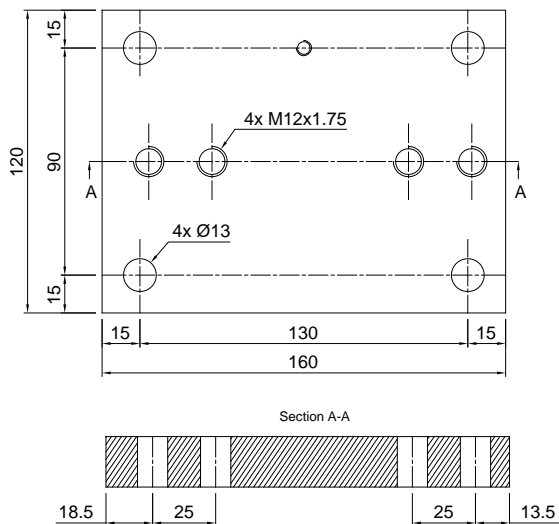
- During the transport and installation the lock (*) must touch under the load cell. After installation, move the lock away from the load cell.
- Interconnect the lower plates to the earthing.
- In case of structure with four-point support, if one-point does not touch the compression joint, you must proceed to insert a shim before fixing the bolts.



PIAT12FCA

BLOCT12C

PIAGP



The Company reserves the right to make changes to the technical data, drawings and images without notice.