

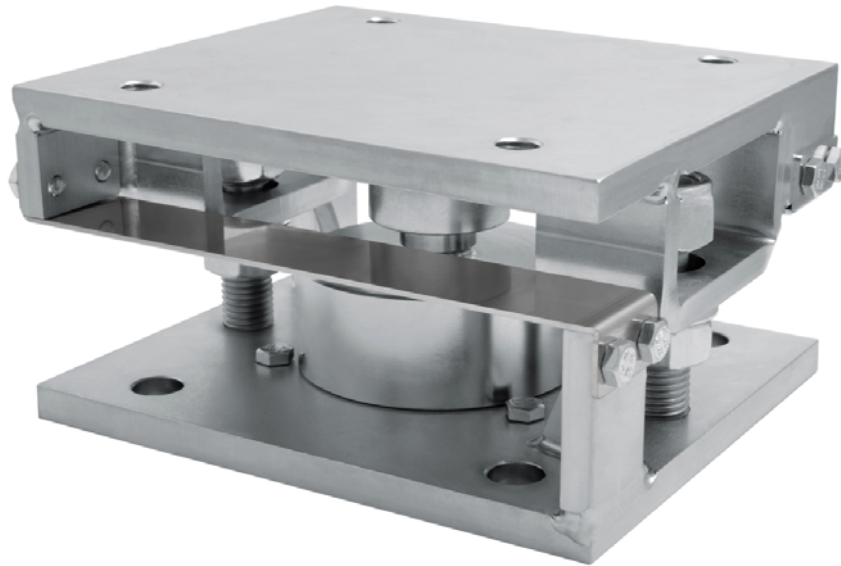
# Z10000

MOUNTING KIT for COMPRESSION-LOW PROFILE load cells

LAUMAS®

Series load cells: CBL - CBX

Up to 15000 kg application range



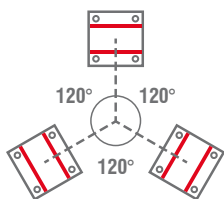
MAX STATIC LOAD kg	FOR LOAD CELLS	NET WEIGHT (kg)	CODE
<b>15000</b>	CBL (250 ÷ 12500 kg) - CBX (15000 kg)	5.7	Z10000

Load cell not included.

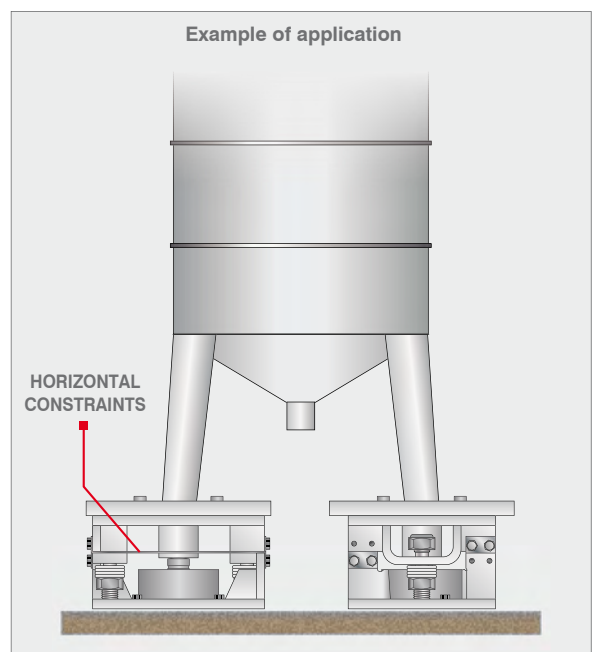
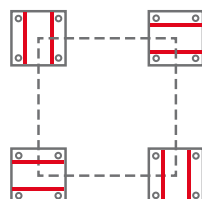
## DESCRIPTION

- Upper and lower plates in galvanized S355JR construction steel.
- AISI 304 stainless steel laminas against lateral forces.
- Anti-tilt constraint consisting of two threaded rods with self-locking nut.

HORIZONTAL CONSTRAINTS  
ORIENTATION  
IN STRUCTURES WITH  
3-POINTS SUPPORT



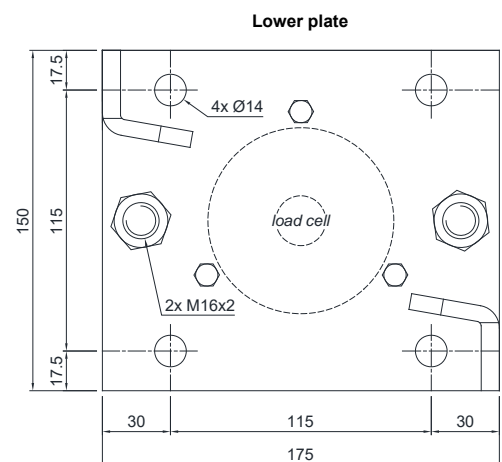
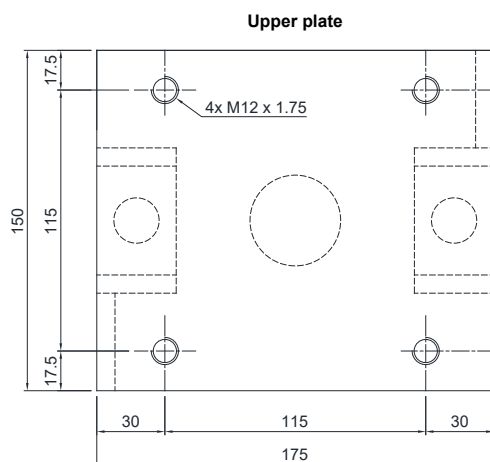
HORIZONTAL CONSTRAINTS  
ORIENTATION  
IN STRUCTURES WITH  
4-POINTS SUPPORT



### DIMENSIONS AND TECHNICAL SPECIFICATIONS

Upper and lower plates **2** must rest completely on not deformable surfaces. To ensure the stability of the structure, the system designer must predict any further precaution against side shifts and anti-tilt in function of: knocks and vibrations, wind effect, seismic conditions and hardness of support structure.

- Install the weighed system using only the mounting kit without the load cell **1** and inserting in its place a piece of pipe (1-2 mm higher than the load cell).
- To finish the installation (weldings, etc..), remove the piece of pipe and then removing the bolts to fix the the load cell **7** insert the load cell **1** in mounting kit.
- Connect lower and upper plates **2** to the earthing system then loosen nuts **5**; verify that the threaded rod **4** slides into the hole; turn anti-tilt nuts **6** to a distance of 1 mm from plate.
- Tighten the three bolts to fix the load cell **7**.



- 1** Load cell.
- 2** Upper and lower plates in galvanized S355JR construction steel.
- 3** AISI 304 stainless steel laminas with horizontal constraint function.
- 4** Threaded rod.
- 5** Nut to be used as jack.
- 6** Anti-tilt self-locking nut.
- 7** M6 bolts to fix the load cell.

